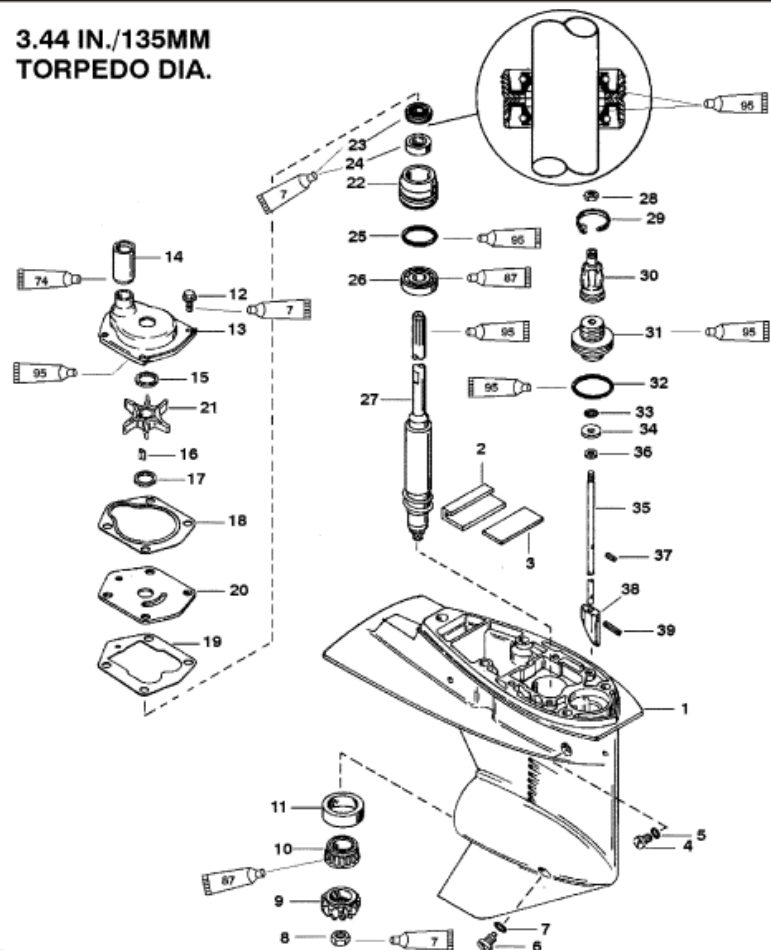
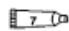
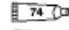
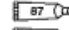



**3.44 IN./135MM
 TORPEDO DIA.**



-  Loctite "271" Adhesive Sealant (92-809819)
-  Loctite "405" (Purchase Locally)
-  Super Duty Gear Lubricant (92-13783A24)
-  2-4-C w/Teflon (92-825407A12)

| Parts List | | | | | | |
|------------|-------|-----------|---------------------------|-----|-------------------------|----------|
| Ref | Class | Part | Description | Qty | Comment | Footnote |
| - | 1682 | 821306A26 | GEAR HOUSING | 1 | (BLACK) SHORT | |
| - | 1682 | 821306A27 | GEAR HOUSING | 1 | (GRAY) SHORT | |
| - | 1682 | 821306A28 | GEAR HOUSING | 1 | (BLACK) LONG | |
| - | 1682 | 821306A29 | GEAR HOUSING | 1 | (GRAY) LONG | |
| 1 | 1682 | 821306A12 | GEAR HOUSING | 1 | (BASIC-BLACK) | |
| 1 | 1682 | 821306A13 | GEAR HOUSING] | 1 | (BASIC-GRAY) | |
| 2 | | 818226A | SEAL/PLATE KIT | 1 | | |
| 3 | | NSS | PLATE | 1 | | 4 |
| 4 | 10 | 79953A | 2 SCREW (.375-16 X .25) | 1 | | |
| 5 | 12 | 19183 | WASHER-SEALING | 1 | | 1 |
| 6 | 22 | 67892A | 1 DRAIN SCREW (MAGNETIC) | 1 | | |
| 7 | 12 | 19183 | WASHER-SEALING | 1 | | 1 |
| 8 | 11 | 55910 | NUT | 1 | | |
| 9 | 43 | 822161 | 2 PINION GEAR (12 TEETH) | 1 | | 3 |
| 10 | 31 | 821321A | 2 BEARING ASSEMBLY-ROLLER | 1 | | |
| 11 | | NSS | CUP | 1 | | 4 |
| 12 | 10 | 824832 | 4 SCREW (M6 X 16) | 4 | | |
| 13 | 46 | 821351A | 3 WATER PUMP UPPER HOUSIN | 1 | | 3 |
| 14 | | 823547 | 1 SEAL-WATER TUBE | 1 | | 5,6 |
| 15 | 12 | 86645 | 1 WASHER | 1 | | 1,6,5 |
| 16 | 28 | 85119 | 1 KEY | 1 | | 5,6 |
| 17 | 12 | 86645 | 1 WASHER | 1 | | 1,6,5 |
| 18 | 27 | 822189 | 1 GASKET | 1 | | 1,6,5 |
| 19 | 27 | 822217 | 1 GASKET (LOWER) | 1 | | 1,6,5 |
| 20 | | 821354 | 2 FACE PLATE | 1 | | 6 |
| 21 | 47 | 85089 | 3 IMPELLER | 1 | | 6 |
| 22 | 46 | 821307A | 2 WATER PUMP BASE ASSEMBL | 1 | | |
| 23 | 26 | 821309 | 1 SEAL-OIL | 1 | | 5 |
| 24 | 26 | 821310 | 1 SEAL-OIL | 1 | | 5 |
| 25 | 25 | 821308 | 1 O RING | 1 | | 1,5 |
| 26 | 30 | 821311 | 1 BALL BEARING | 1 | | |
| 27 | 45 | 822466A | 1 DRIVESHAFT | 1 | (SHORT) | |
| 27 | 45 | 822159A | 1 DRIVESHAFT | 1 | (LONG) | |
| 28 | 11 | 40021 | 2 NUT | 1 | (INCLUDED WITH REF #35) | |
| 29 | | 823548 | 1 CABLE TIE | 1 | | 5 |
| 30 | | 822158 | 1 BOOT-SHIFT SHAFT | 1 | | 5 |
| 31 | | 821827 | 1 RETAINER-SHIFT SHAFT | 1 | | |
| 32 | 25 | 26855 | 1 O RING | 1 | | 1,5 |
| 33 | 25 | 85594 | 1 O RING | 1 | | 1,5 |
| 34 | 12 | 814803 | 1 WASHER | 1 | | |
| 35 | | 822452A | 1 SHIFT SHAFT | 1 | (SHORT) | |